

# Simple Stackable Outdoor Chairs

posted by [Ana White](#) [1]

These simple chairs stack! And match our Simple Modern Outdoor Collection. Build a few to match the tables, or just extra seating for outdoors.



About Project **Inspired By:** [West Elm Wood Slat Dining Chair](#) [2]

### **Author Notes:**

I get it. You want to be outside, you want not just Vitamin DIY, you want your Vitamin D! And up here in Alaska, it's a little more challenging to get in the summer mode when the snow keeps changing it's mind. But after today, a perfect spring day with dripping snow and clear bright sunshine, I'm feeling like it's time to build some outdoor furniture.

I especially love West Elm's Wood Slat Collection. Clean and simple lines means simple to build, and will be a nice visual relief when contrasted with the organic softness of your beautiful flowers and plants.

Yes, these chairs are stackable. And yes, you can build, quite easily. But I'm gonna warn ya, cutting chair legs can be, well, less than fun, especially if you've got a stack of chair legs to cut. But much less painful than say paying \$150 a chair . . . especially if you are say buying a stack of 4 . . . yikes, \$600!

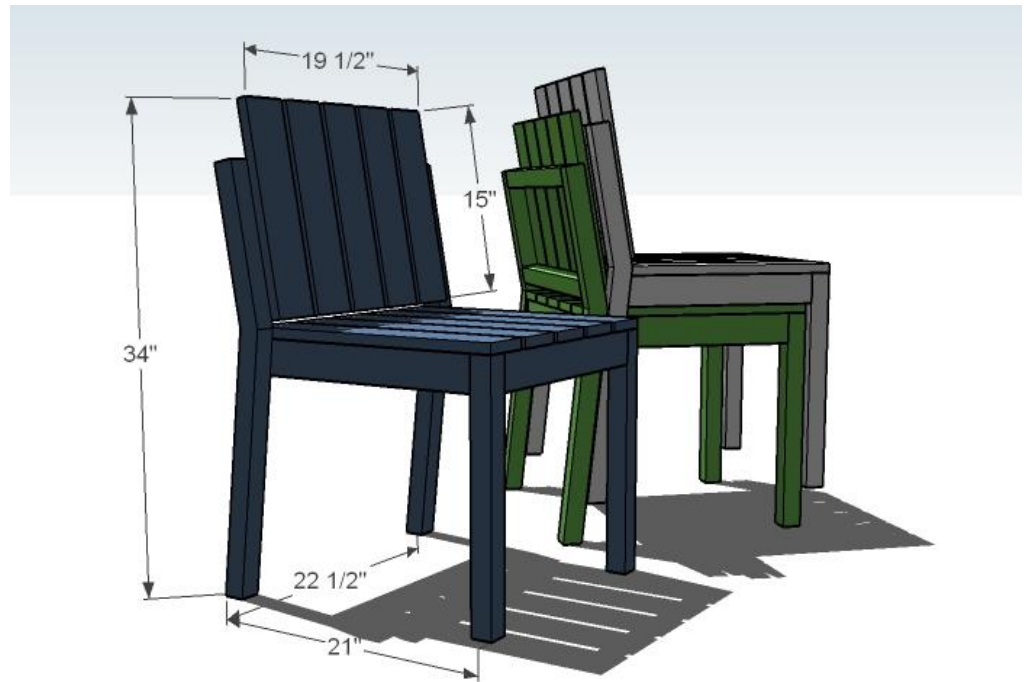
I've got one of these chairs waiting for paint, can't wait to share photos. You probably will beat me

## Simple Stackable Outdoor Chairs

Published on Ana White (<http://ana-white.com>)

are you a  
homemaker?

too it! Here's the plan.



**Dimensions:** Overall Dimensions are shown above.

### Materials and Tools Shopping List:

- 2 - 1x4 Boards, 8' Long
- 1 - 2x2 Board, 8' Long
- 1 - 2x4 Board, 8' Long
- 1 - 1x3 Board, 8' Long
- 2" Screws
- 2 1/2" Screws
- Wood Glue
- Wood Filler
- Paint suitable for exterior applications

- 1 1/4 inch pocket hole screws
- 2 1/2 inch pocket hole screws
- wood glue
- wood filler

### Dimensions:

- 120 grit sandpaper
- primer
- wood conditioner
- paint
- paint brush

### Tools:

- measuring tape
- square
- pencil
- hammer
- safety glasses
- hearing protection

[Kreg Jig™](#) [3]

- drill
- circular saw
- jigsaw
- sander

### Cut List

- 2 - 2x4 @ 30", Chair Backs cut from these boards (see step 1 if you are making multiple chairs)

## Simple Stackable Outdoor Chairs

Published on Ana White (<http://ana-white.com>)

are you a  
homemaker?

- 2 - 2x2 @ 19 1/2" (Chair Back Supports)
- 2 - 2x2 @ 18" (Chair Front Legs)
- 2 - 1x3 @ 17 1/2" (Side Aprons)
- 1 - 1x3 @ 16 1/2" (Front Apron)
- 1 - 1x3 @ 18" (Back Apron)
- 5 - 1x4 @ 19" (Seat Boards)
- 5 - 1x4 @ 15" (Back Boards)

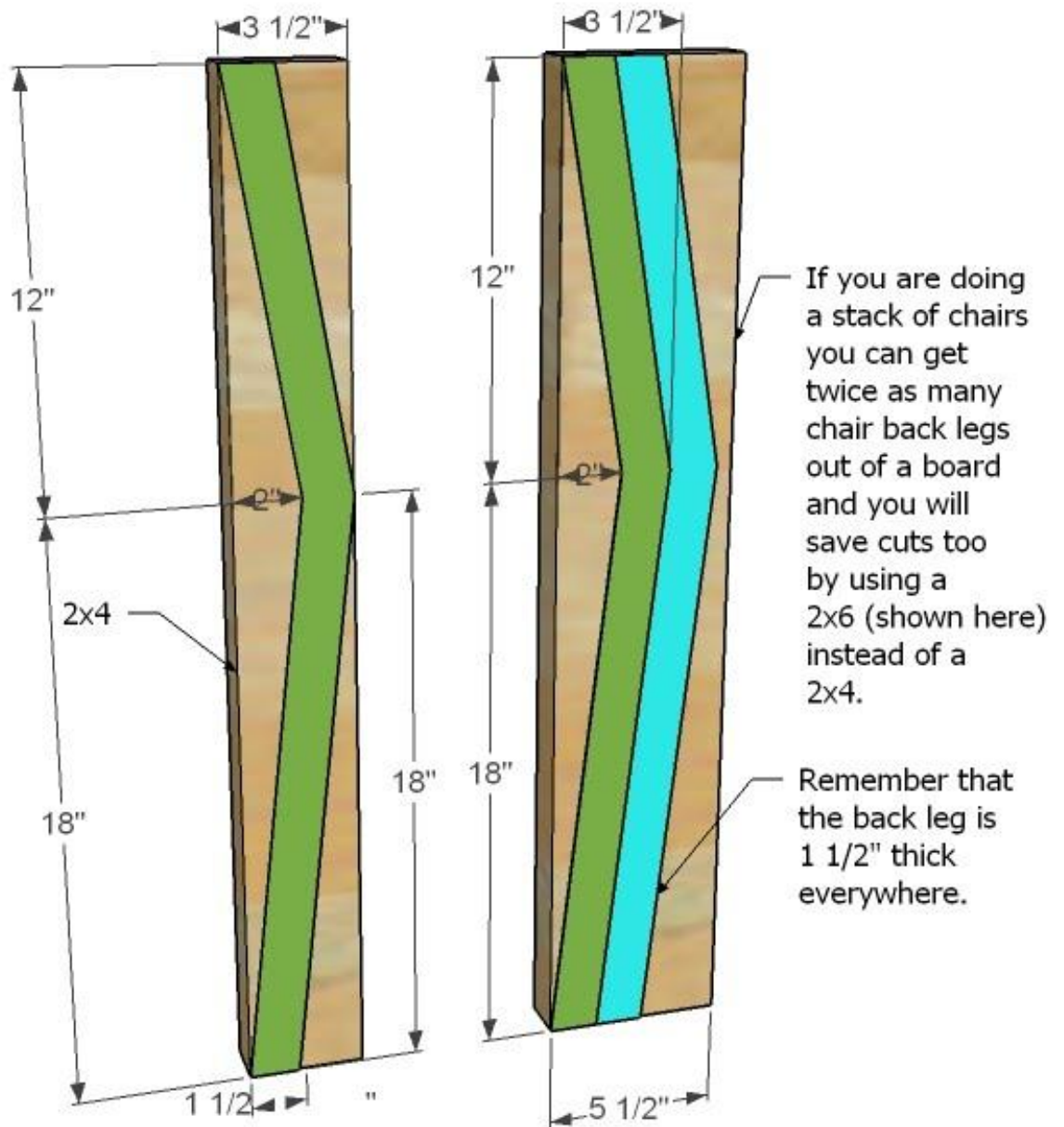
### General Instructions

Work on a clean level surface. Check for square after each step. Use proper safety equipment and precautions. Pre-drill and countersink your screw holes. Use glue.

# Simple Stackable Outdoor Chairs

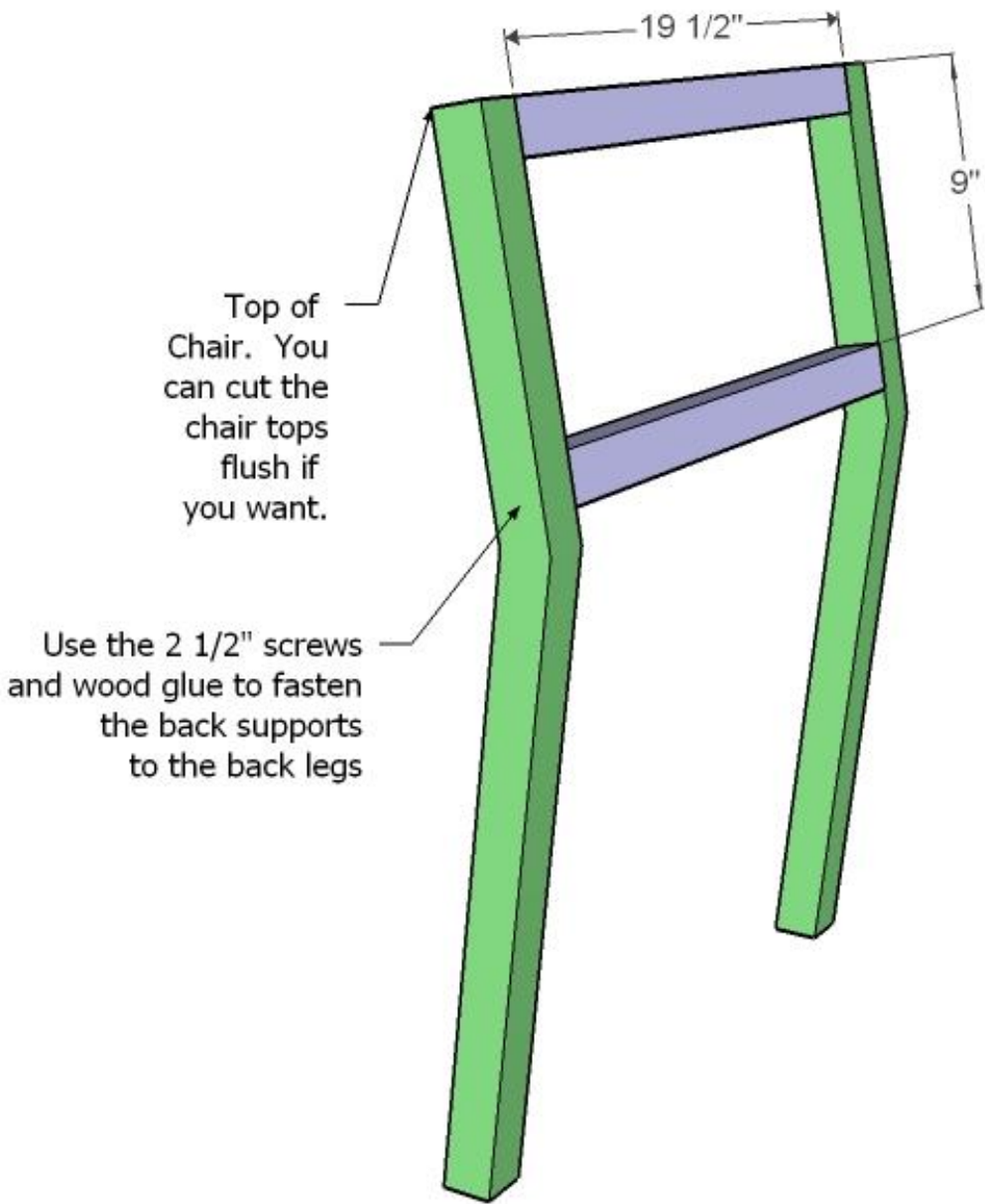
Published on Ana White (<http://ana-white.com>)

are you a  
homemaker?



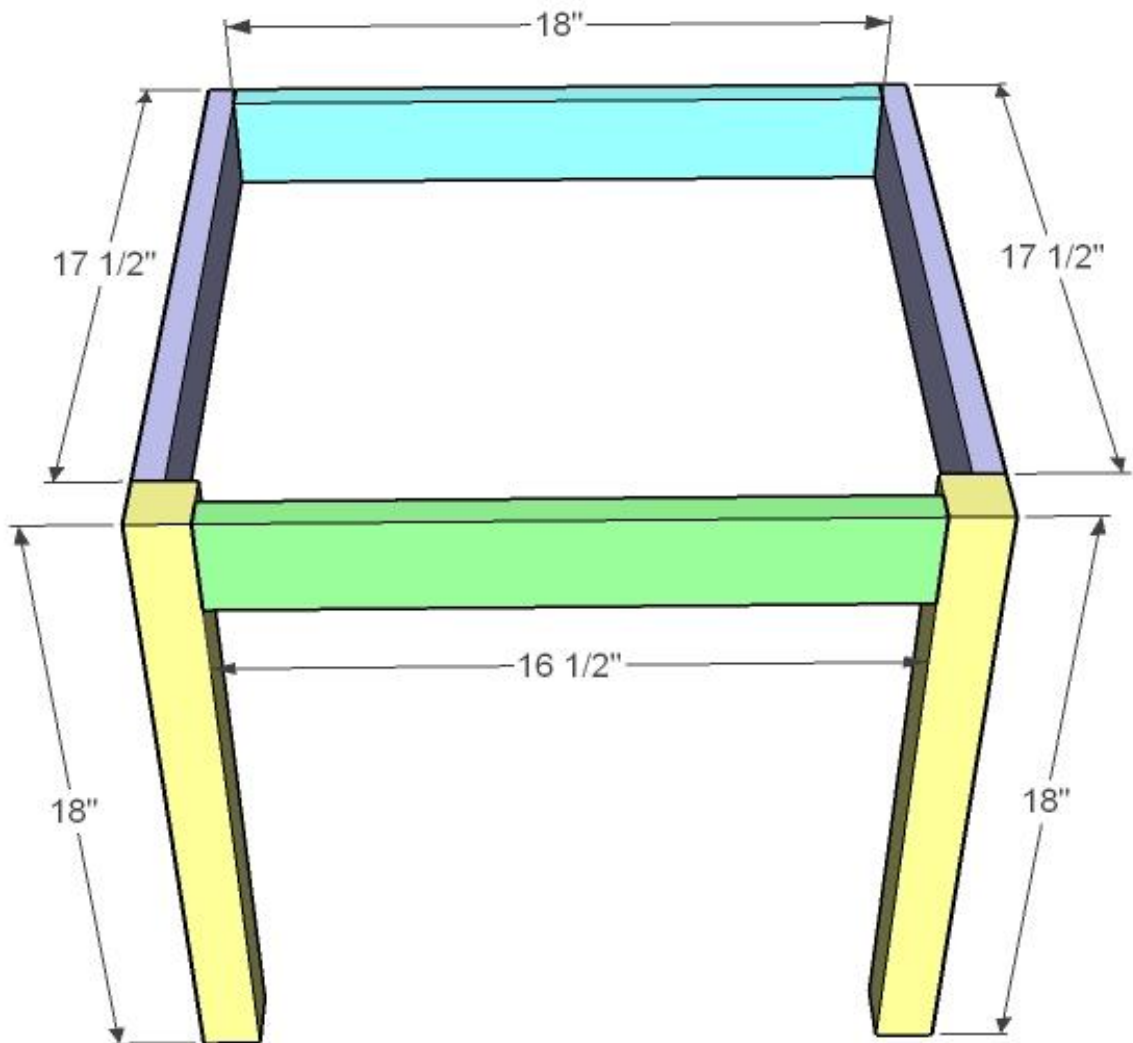
Chair Back Legs. From the 2x4, mark out your chair back legs. Keep in mind that the back legs will be 1 1/2" wide everywhere, and one leg takes up the entire 2x4. If you are building multiple chairs, it may make sense to use a 2x6 as shown above on the right to get more legs per less board and cuts.

Step 1



Chair Backs. Build the chair back as shown above. Fasten with 2" screws and glue.

Step 2



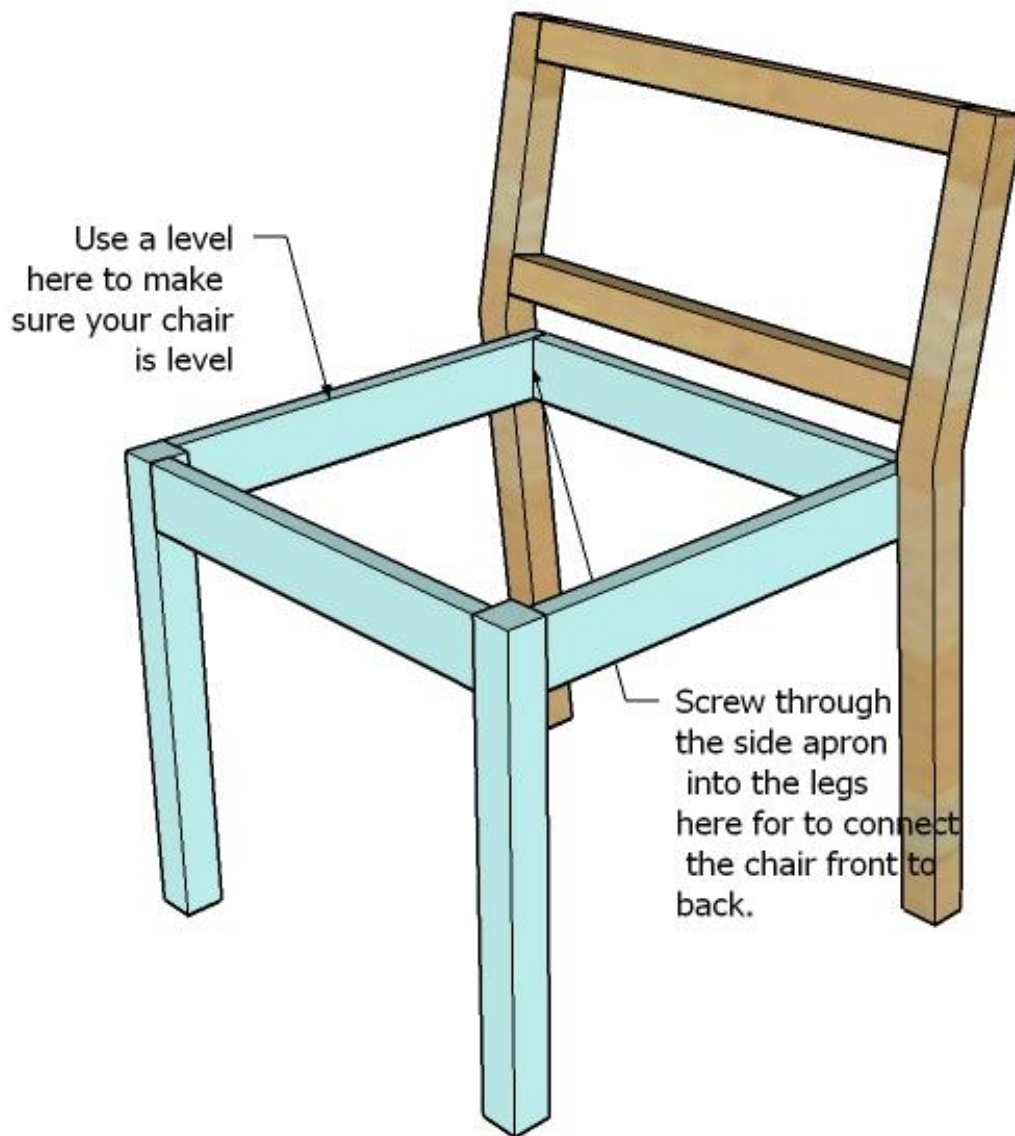
Chair Seat and Front Legs. Build the aprons and front legs as shown above. Start on the back apron and work your way forward. If you have a [Kreg Jig™](#) [3], it would come in super handy here, or else you can just use screws and glue, 2" screws.

Step 3

## Simple Stackable Outdoor Chairs

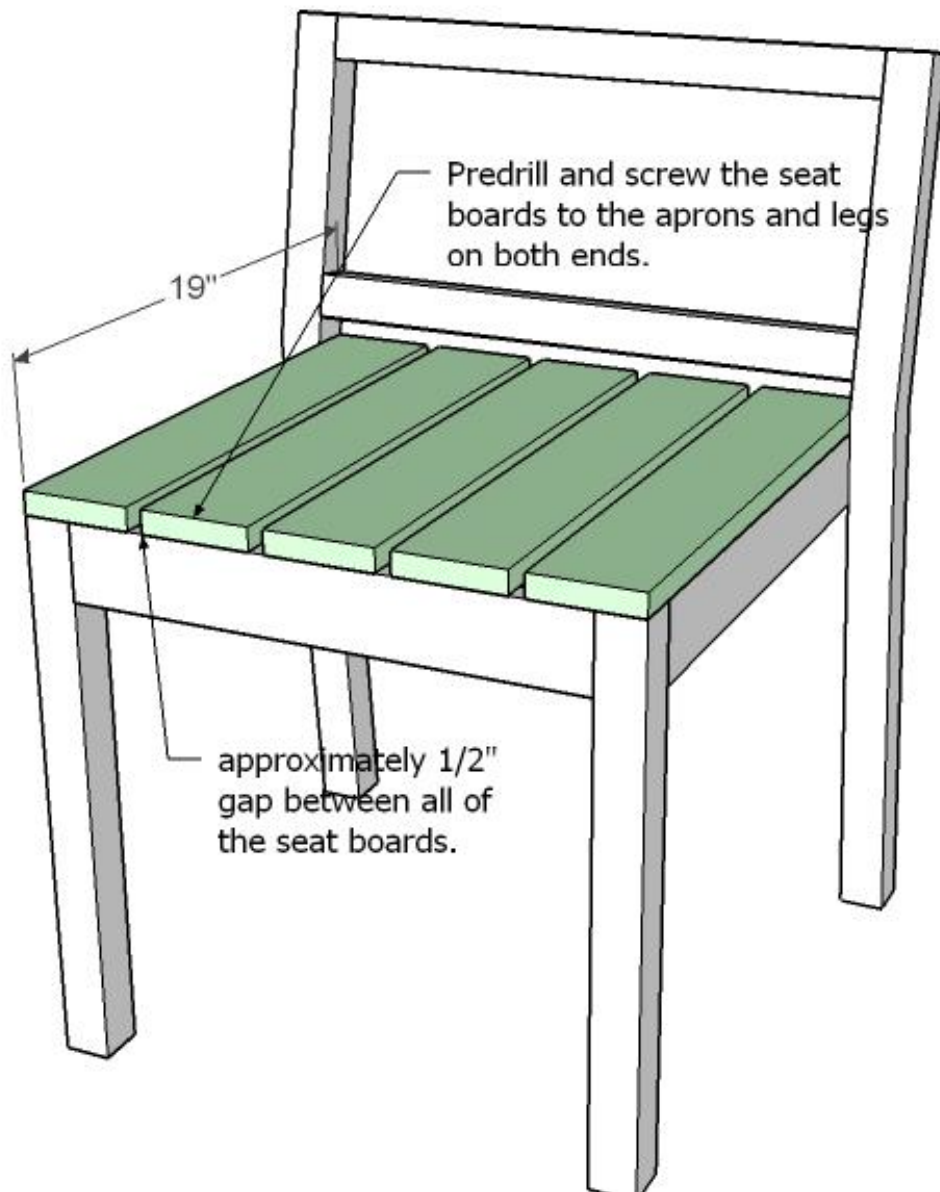
Published on Ana White (<http://ana-white.com>)

are you a  
homemaker?



Chair Frame Assembly. Using a level on the side apron, attach the front of the chair to the back, as shown above, using 2" screws and glue. You may wish to complete step 5, the seat boards first, but the above diagram illustrates how the chair is assembled.

Step 4



Seat Boards. Pre-drill and attach the seat boards to the aprons and legs as shown above.

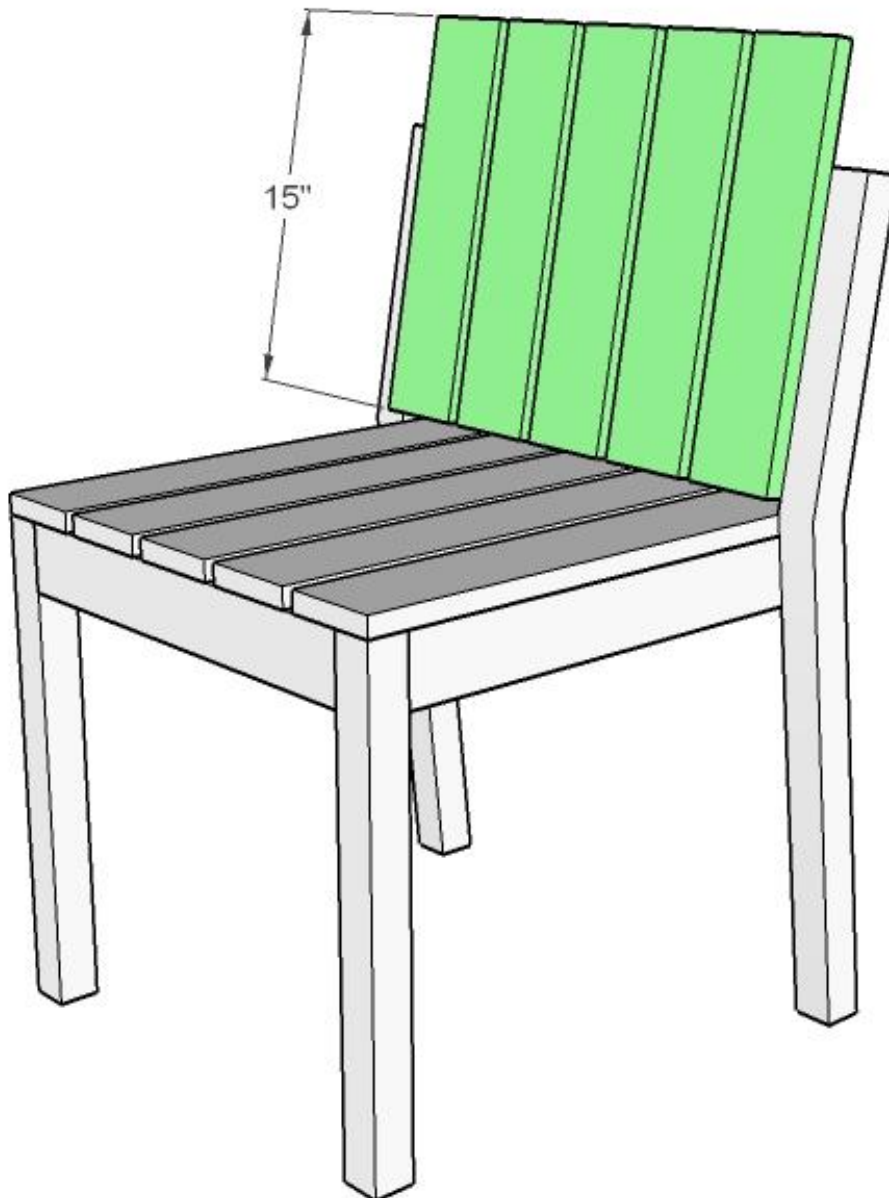
Step 5



## Simple Stackable Outdoor Chairs

Published on Ana White (<http://ana-white.com>)

are you a  
homemaker?



Back Boards. As you did the seat boards, fasten the back boards to the back supports, as shown above.

### Step 7

Finishing. Fill any holes with wood filler and sand and finish as desired.

### Step 6

[Chairs \[4\]](#), [Simple Modern Outdoor Collection \[5\]](#), [Outdoor \[6\]](#), [Advanced \[7\]](#), [Under \\$20 \[8\]](#), [Modern \[9\]](#)

**Source URL:** <http://ana-white.com/2010/04/plans-simple-stackable-outdoor-chair.html>

### Links:

[1] <http://ana-white.com/users/ana-white>

[2] <http://www.westelm.com/products/wood-slat-stackable-chair-g078/?pkey=e|wood%2Bslat%2Bcha>

## Simple Stackable Outdoor Chairs

Published on Ana White (<http://ana-white.com>)

are you a  
homemaker?

ir|3|best|0|1|24||1&cm\_src=PRODUCTSEARCH||NoFacet-\_-NoFacet-\_-Common%20Top%20Wide%20Rule%20Free%20Shipping-\_-

[3] <http://www.kregtool.com/files/anawhite/anawhite.asp>

[4] <http://ana-white.com/category/plans/project-type/chairs>

[5] <http://ana-white.com/category/plans/collections/simple-modern-outdoor-collection>

[6] <http://ana-white.com/category/plans/room/outdoor>

[7] <http://ana-white.com/category/plans/skill-level/advanced>

[8] <http://ana-white.com/category/plans/estimated-cost/under-20>

[9] <http://ana-white.com/category/plans/style/modern>